

FIAT SERVICE LETTER

SUBJECT: REAR QUARTER WINDOW

VEHICLES: 128 - 2 DOOR CUSTOM 1976 MODEL

SERIAL NO. APPROX. 2.009.000

CONDITION: Possible separation of the latch and hinges from the rear quarter window

CAUSE: Improper bond of the latch mounting pin and hinges to the glass.

CORRECTION: Late production vehicles will be equipped with a modified rear quarter window assembly. This modification involves new window components which are listed below.

The mounting pin will no longer be bonded to the glass, but placed through a hole in the quarter window. This new type mounting pin is threaded and is fastened to the window latch by a retaining nut. (see diagram)

The quarter window hinges will also no longer be bonded to the glass, but welded to a "U" shaped pillar, which is pressed on the glass.

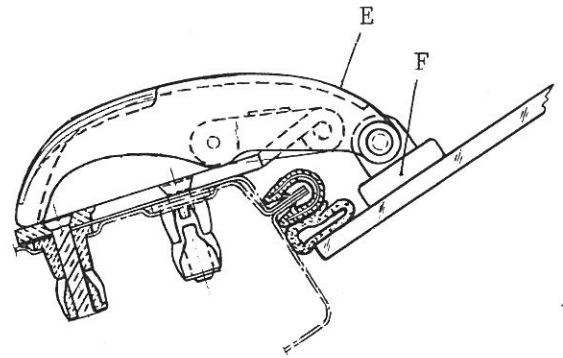
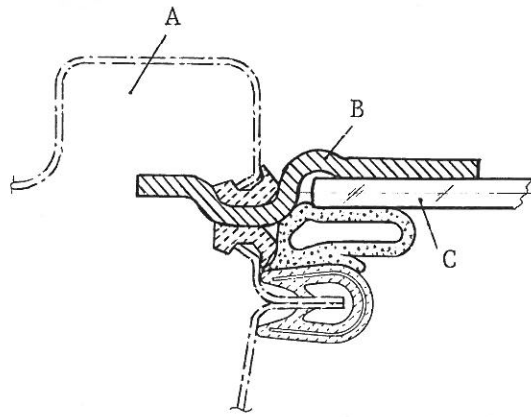
Parts Information: Attached are the new components and part numbers for this modification.

READ, INITIAL AND PASS ON

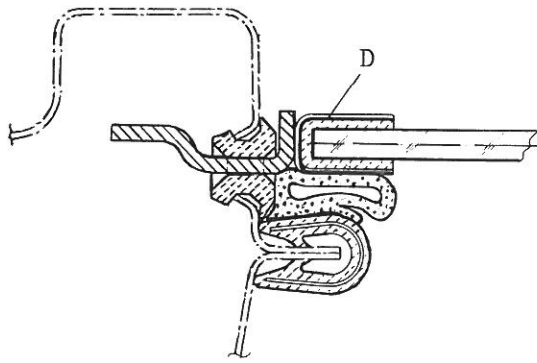
Service Manager	Parts Manager	Service Writer	Technician			

Before Modification	Description	After Modification
4264167	Tinted R.H. rear quarter window w/o latch	_____
4264168	Tinted L.H. rear quarter window w/o latch	_____
_____	Tinted R.H. rear quarter window with hinge but w/o pin and latch	4371149
_____	Tinted L.H. rear quarter window with hinge but w/o pin and latch	4371150
_____	Through pin	4323617
4266781	R.H. locking latch	4359586
4266782	L.H. locking latch	4359587
_____	Pin bushing	4323618
_____	Pin ring nut	4323619
_____	Ring nut washer	4323620

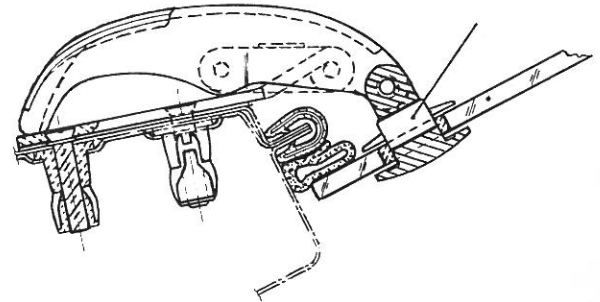
1)



2)



SEE DETAIL "A"



Hinges and Handles of Rear Ventilators

1 - Ante-modification

2 - Post-modification

A - Door pillar

B - Hinge

C - Glass

D - P.M. hinge

E - Handle

F - Bonded plate

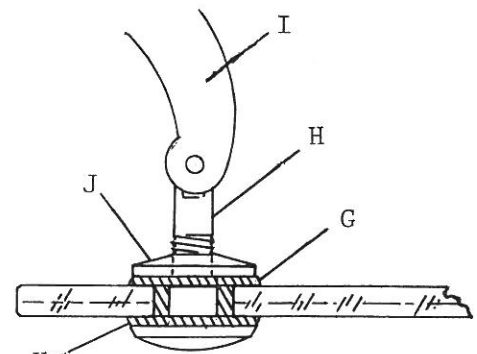
G - Washer

H - Through Pin

I - Locking Latch

J - Nut

K - Bushing



DETAIL "A"