

# FIAT SERVICE LETTER

SUBJECT:           REPLACEMENT OF TRUNK LATCH  
VEHICLES:         1973-1974 124 MODELS

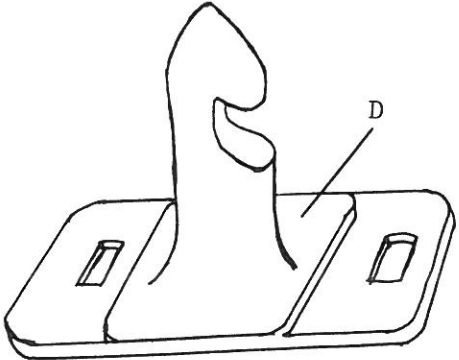
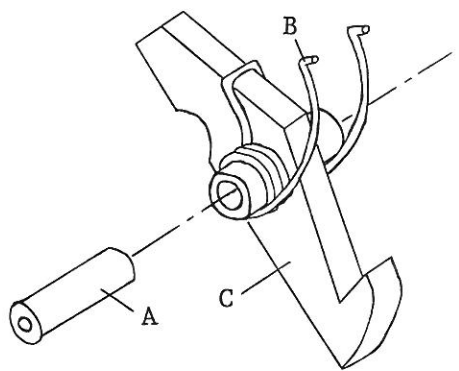
INSTRUCTIONS:

When it becomes necessary to replace the trunk locking assembly, use the following instructions and diagram:

1. Remove upper and lower lock assembly using 10mm socket. Discard the lower plate and post (D).
2. Punch out center pin (A) of upper assembly. Use a proper drift. Discard pin. Remove spring (B). Reinstall spring on new latch (C) as shown in diagram. Refit latch and spring in cage. Install new pin (A) supplied. Peen with center punch. Replace the latch assembly component as a whole unit. Do not partially replace upper or lower half.
3. Replace lower post (D) in reverse manner of step 1. Be careful to lightly tighten until final adjustment is obtained. When the two components match, tighten upper and lower securely.

IMPORTANT: All moving parts should be lightly lubricated.

PARTS INFORMATION: Parts A-C-D are supplied as a complete kit under part #8780.



READ, INITIAL AND PASS ON

Service Manager	Parts Manager	Service Writer	Technician