

SL 701-39
10-16-80

FIAT SERVICE LETTER

SUBJECT: INSTRUMENT CLUSTER

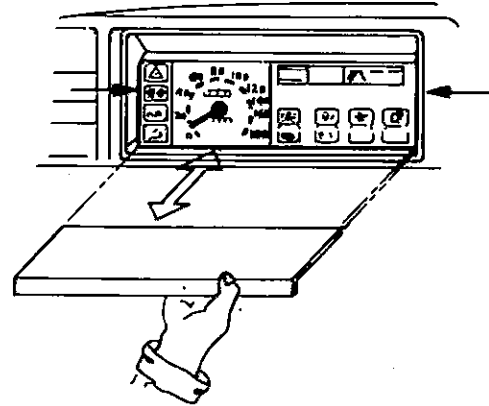
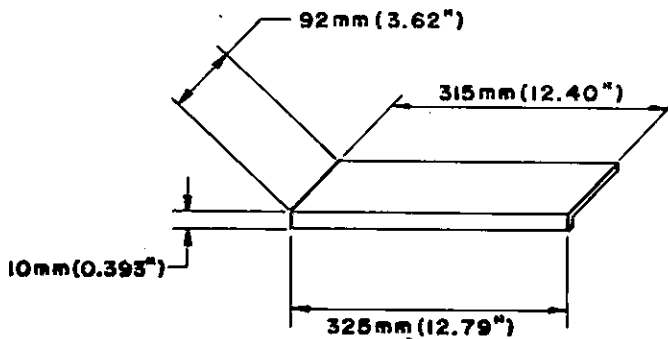
VEHICLES: STRADAS

CONDITION: Possible scratching of the dashboard panel when removing or reinstalling instrument cluster.

SERVICE

INFORMATION: Use a sheet (0.5mm - .01966" thick) of plastic, cut to the dimensions listed below, to assist in removing and reinstalling instrument cluster.

NOTE: To facilitate removal of instrument cluster, carefully release lock tabs on either side of the dashboard panel, see arrows in illustrations.



READ, INITIAL AND PASS ON

Service Manager	Parts Manager	Service Writer	Technician