

FIAT SERVICE LETTER

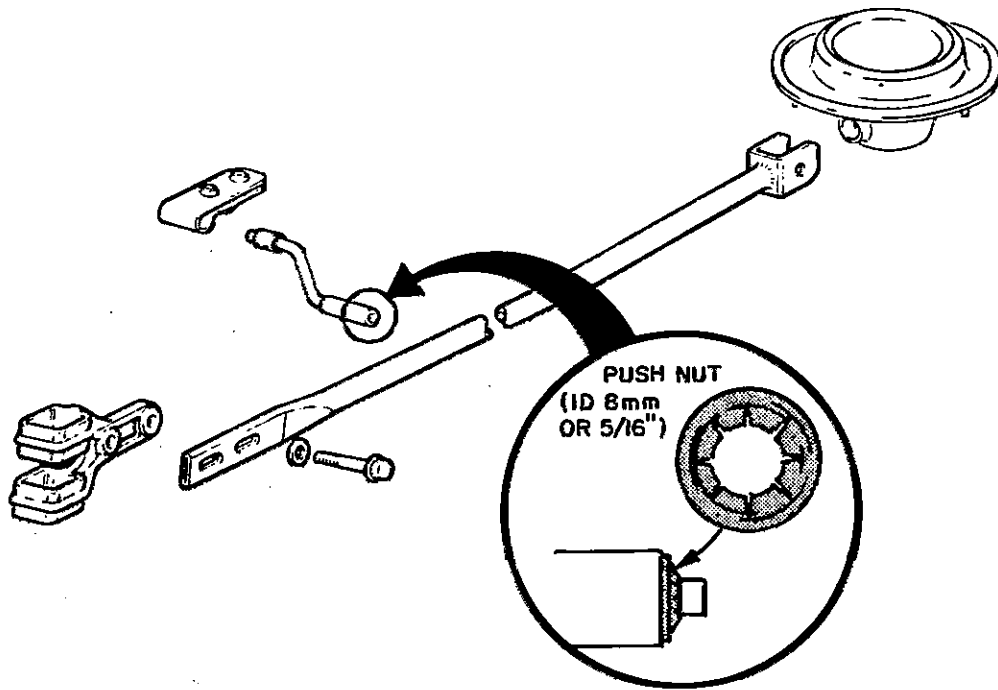
SUBJECT: SHIFT LINKAGE ANTI-VIBRATION BRACKET

VEHICLES: STRADAS WITH STANDARD TRANSMISSION

CONDITION: Plastic sleeve sliding off the arm of the shift linkage anti-vibration bracket.

CORRECTION: To prevent this condition, install a push nut (I.D. 8mm or 5/16") on the end of the brackets swing arm.

Push nuts are supplied by most vendors of shop supplies or fasteners.



READ, INITIAL AND PASS ON

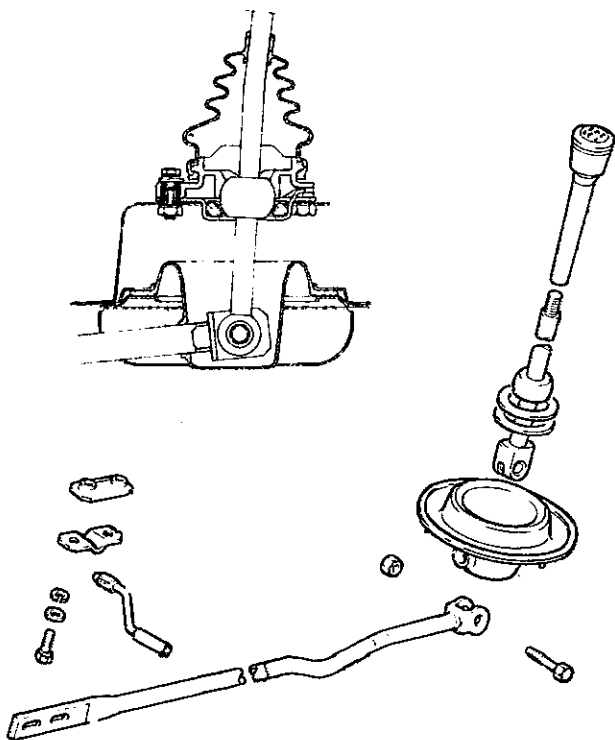
Service Manager	Parts Manager	Service Writer	Technician			

FIAT SERVICE LETTER

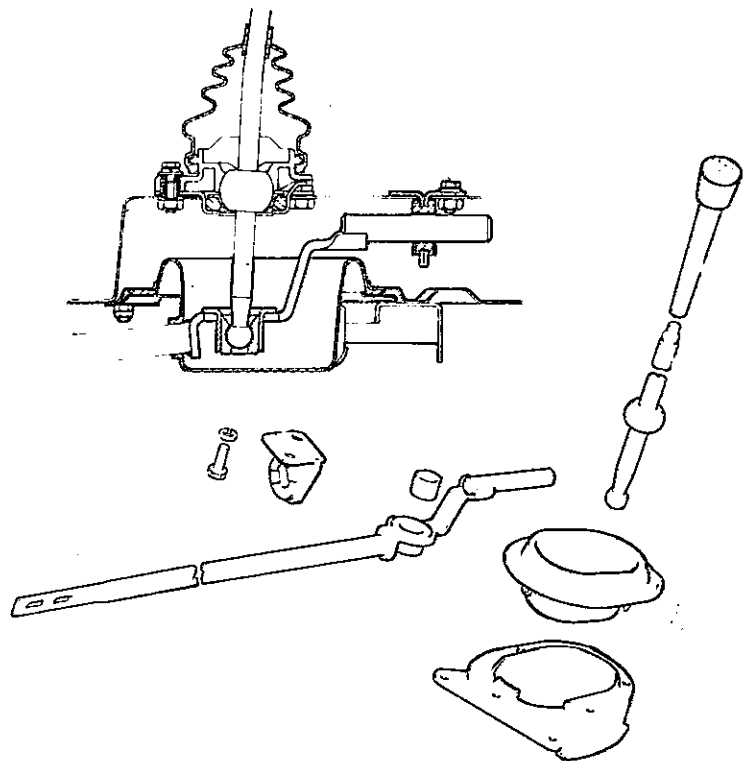
SUBJECT: GEAR SHIFT LINKAGE
VEHICLES: 1979 STRADAS
SERIAL NO: From Serial No. 2207149

SERVICE INFORMATION: To facilitate shift selection, the attachment of the gear shift lever to the shifting linkage has been modified, as illustrated in the attached diagrams.

**VEHICLES BUILT BEFORE
SERIAL NO. 2207149**



**VEHICLES BUILT AFTER
SERIAL NO. 2207149**



READ, INITIAL AND PASS ON

Service Manager	Parts Manager	Service Writer	Technician			

SL 212A-13
10-16-80

FIAT SERVICE LETTER

SUBJECT: MANUAL TRANSMISSION
 VEHICLES: 1980 STRADAS
 SERIAL NO.: Starting with Serial No. 2415223

GENERAL INFORMATION: The manual transmission has been modified as follows:
 ● The profile of the teeth on reverse gear has been changed.
 ● The travel of reverse gear selector rod has been increased.

PARTS INFORMATION:

<u>Description</u>	<u>Part No.</u>
Sliding sleeve, 1st, 2nd, Reverse	4457562
Reverse Gear	4459199
Main Shaft	4475895
Reverse Gear Selector Rod	4466648

Only the new components will be supplied as spare parts for both the before and after modification transmissions.

READ, INITIAL AND PASS ON

Service Manager	Parts Manager	Service Writer	Technician			