

# FIAT SERVICE LETTER

SUBJECT: CLUTCH OPERATION

VEHICLES: 128 MODELS

**GENERAL INFORMATION:**

The 1977 128 models are equipped with a new type of clutch release lever, which will improve the operation of the clutch assembly.

The components used for the adjustment of the clutch cable have also been modified as shown in the diagram below.

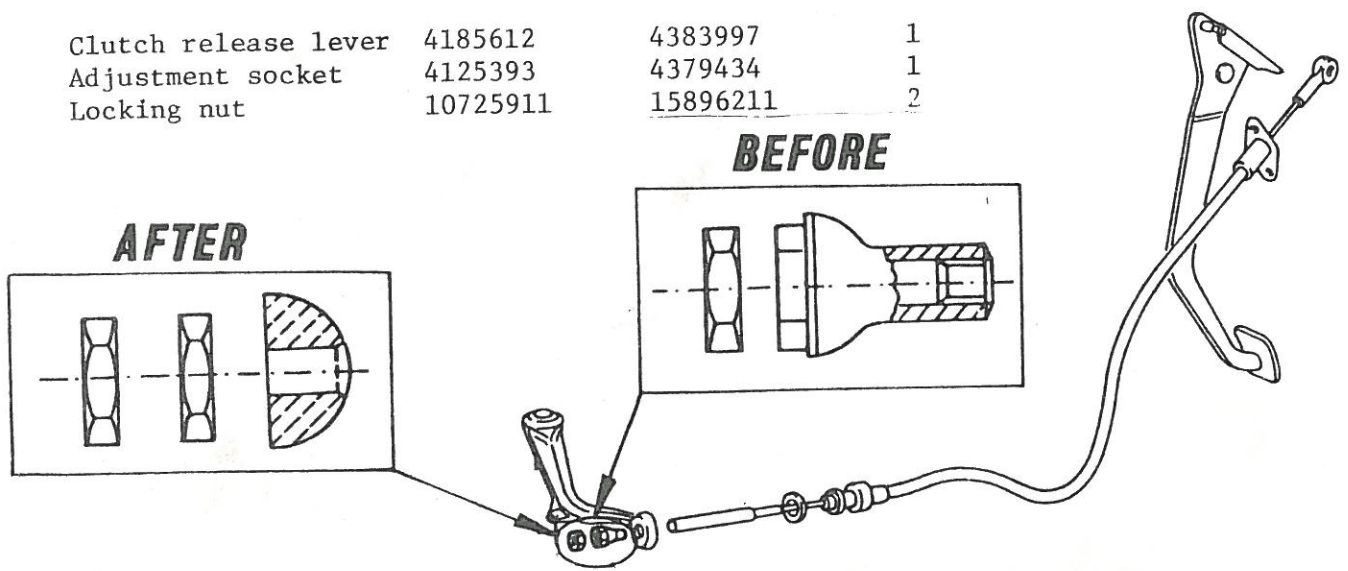
The clutch cable is now adjusted and secured to the lever by a plastic retainer and two locking nuts.

If replacement is necessary, the new clutch release lever can be fitted into early production vehicles. However, in order to properly complete this installation, the new type of plastic retainer and locking nuts must also be utilized to secure the clutch cable.

**PARTS INFORMATION:**

The part numbers for the new clutch components are as follows:

<u>Description</u>	<u>Before Modification</u>	<u>After Modification</u>	<u>Quantity</u>
Clutch release lever	4185612	4383997	1
Adjustment socket	4125393	4379434	1
Locking nut	10725911	15896211	2



READ, INITIAL AND PASS ON

Service Manager	Parts Manager	Service Writer	Technician