

SL 000-49
6-11-81

FIAT SERVICE LETTER

SUBJECT: WHEEL ALIGNMENT SPECIFICATIONS

VEHICLES: 1980-81 MODELS

GENERAL

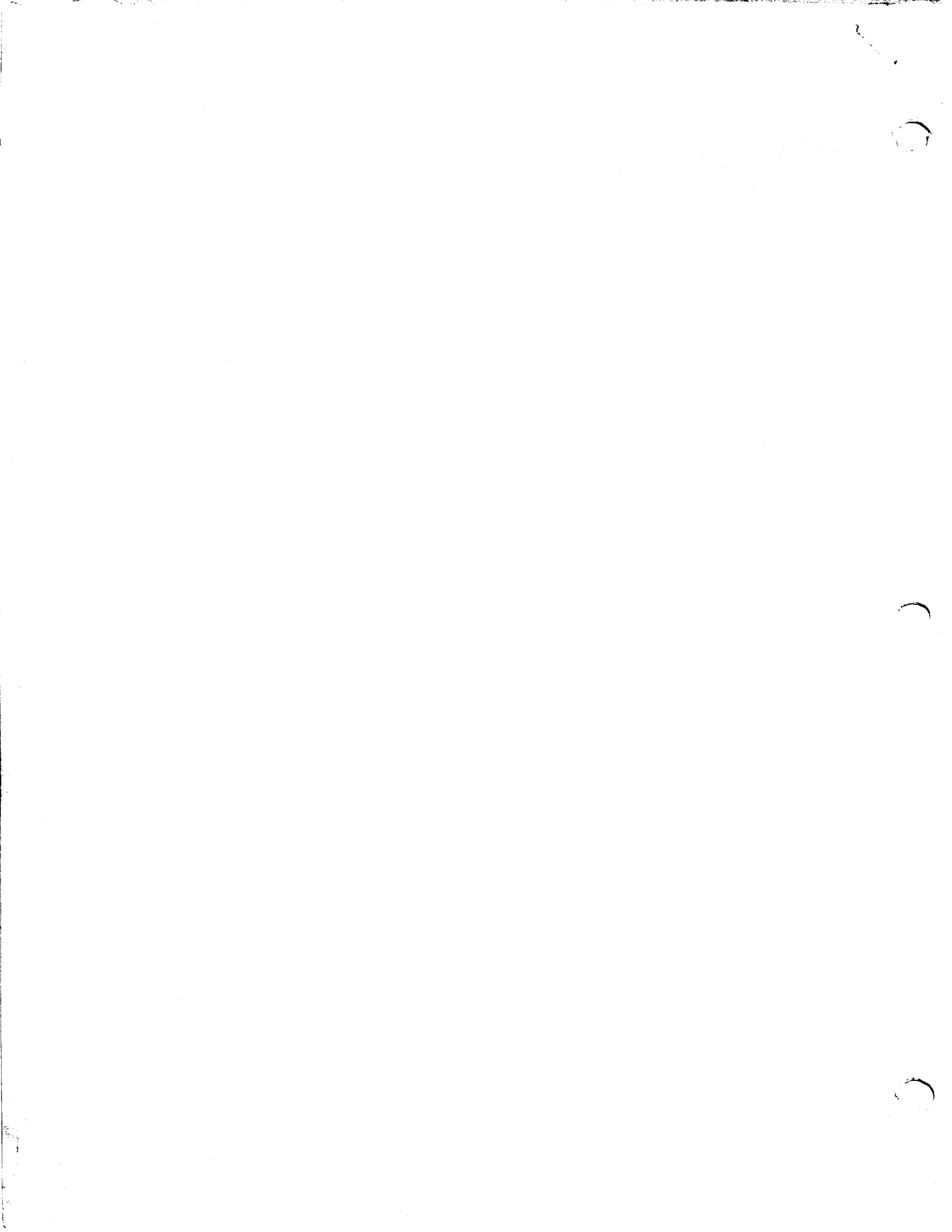
INFORMATION: Attached are the wheel alignment specifications for the 1980-81 models.

NOTE: All specifications refer to unladen vehicles.

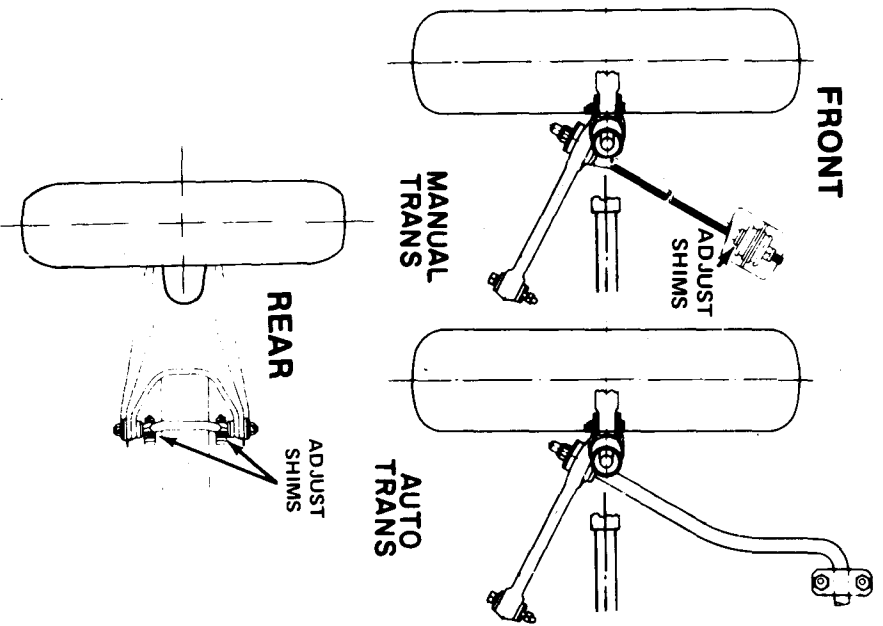
Please make this data readily available to all service personnel.

READ, INITIAL AND PASS ON

Service Manager	Parts Manager	Service Writer	Technician			

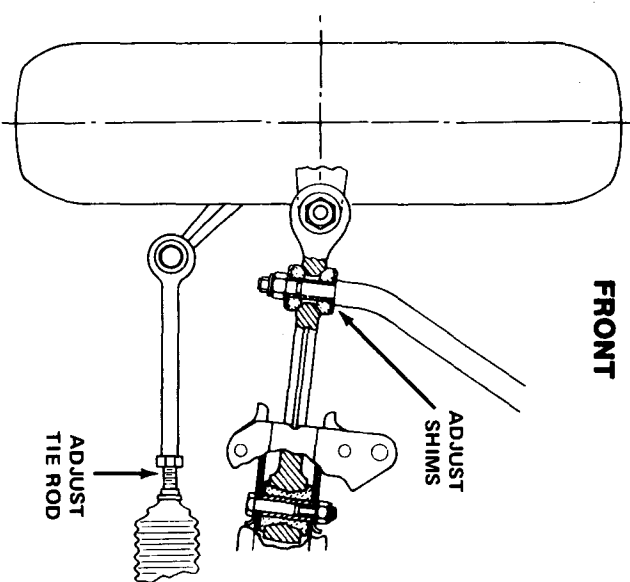


STRADA



	MINIMUM	PREFERRED	MAXIMUM
FRONT			
Caster (Degrees)	+1-1/2	+2	+2-1/2
Camber (Degrees)	+1-5/32	+1-3/4	+2-5/32
Toe-In (Inches)	11/64 out	1/8 out	7/64 out
REAR			
Camber (Degrees)	+1/2	+1	+1-1/2
Toe-In (Inches)	0	+3/32	+5/32

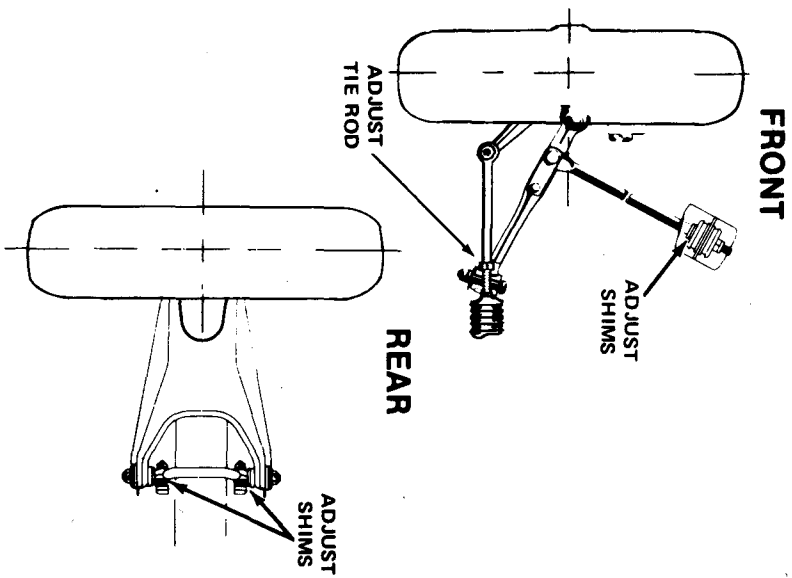
BRAVA



	MINIMUM	PREFERRED	MAXIMUM
CASTER (Degrees)	+3-1/4	+3-3/4	+4-1/4
CAMBER (Degrees)	+1/2	+1	+1-1/2
TOE-IN (Inches)	+5/32	+1/4	+5/16

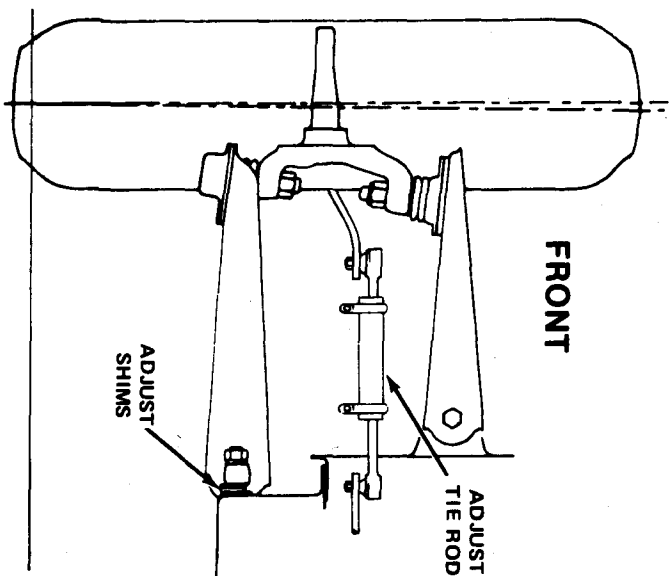


X 1/9



	MINIMUM	PREFERRED	MAXIMUM
FRONT			
Caster (Degrees)	+6-11/64	+6 3/4	+7-11/32
Camber (Degrees)	0	-1/2	-1
Toe-In (Inches)	+3/32	+5/32	+15/64
REAR			
Camber (Degrees)	-3/4	-1-1/4	-1-3/4
Toe-In (Inches)	+13/64	+9/32	+11/32

SPIDER



	MINIMUM	PREFERRED	MAXIMUM
Caster (Degrees)	+3	+3 1/2	+4
Camber (Degrees)	0	+1/2	+1
Toe-In (Inches)	+3/64	+1/8	+3/16

